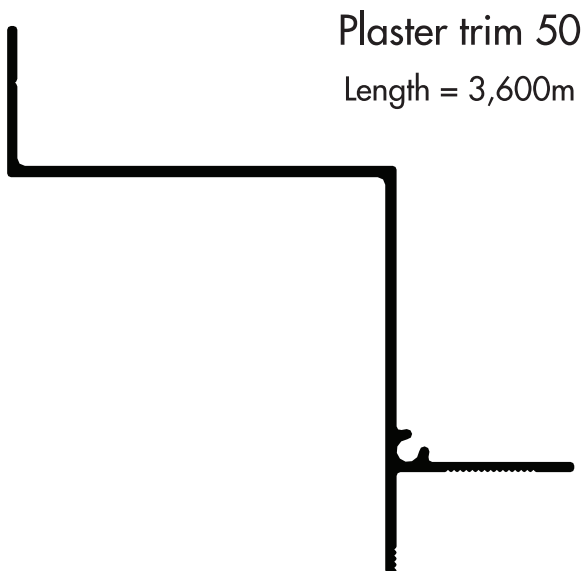
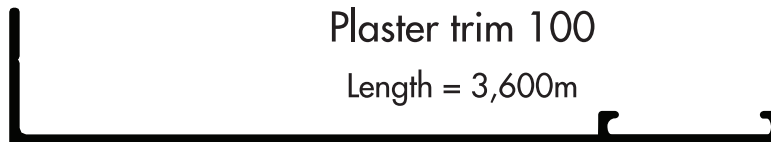
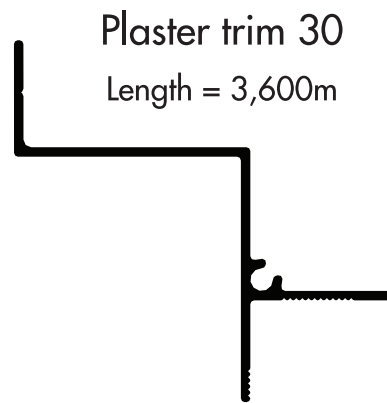
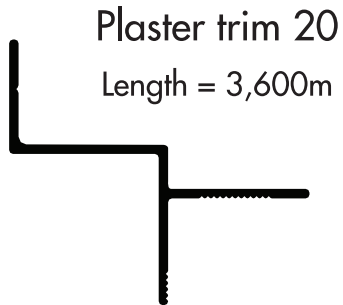


# SIGMA CEILING SYSTEM SHADOWLINE PLASTER TRIM



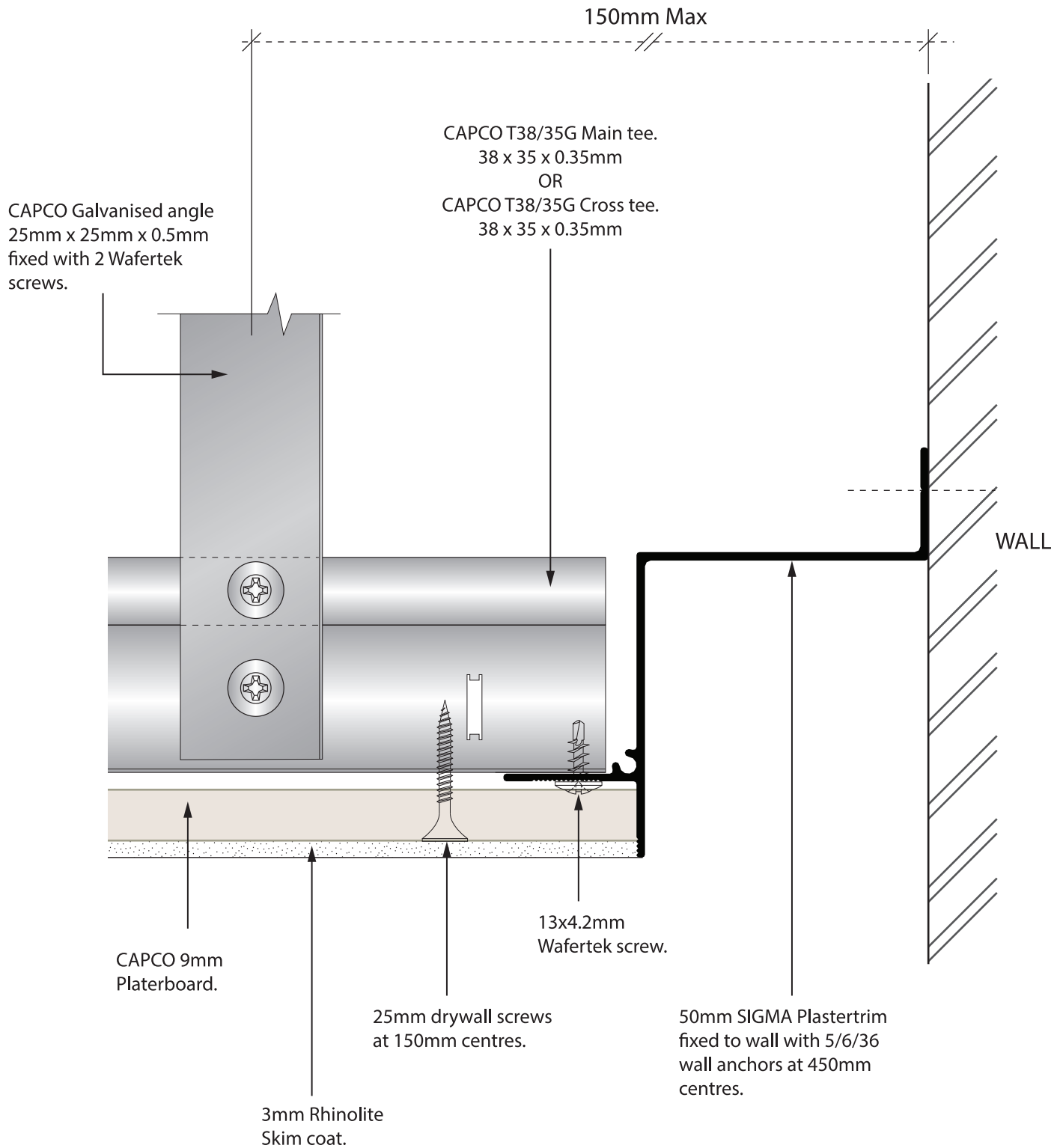
ACTUAL SIZE

## CAPCO: SIGMA SHADOWLINE PLASTER TRIM

An aluminium section for plasterboard concealed tee ceilings to create a 20 x 20/ 30 x 30/ 50 x 50/ 100 x 100mm shadowline at the perimeter with wall surface. Using 9.0mm gypsum board.

# SIGMA CEILING SYSTEM SHADOWLINE PLASTER TRIM

## ASSEMBLY



CAPSPEC™

## QS SPECIFICATION

### SIGMA Plaster Trim 20 or 30 or 50 or 100 Shadowline Cornice

Supply and fit SIGMA Plaster Trim 20 (or 30 or 50 or 100) satin white epoxy coated aluminium shadowline cornice with 5/6/36 wall anchors @ 450mm centres.