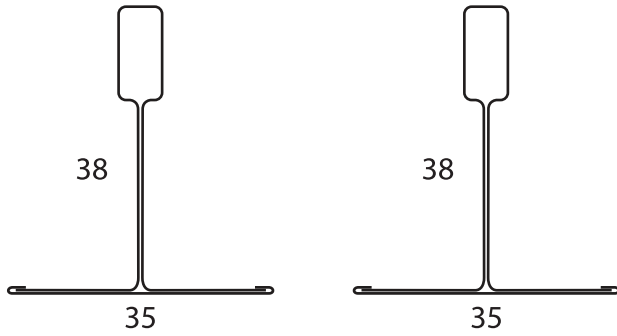
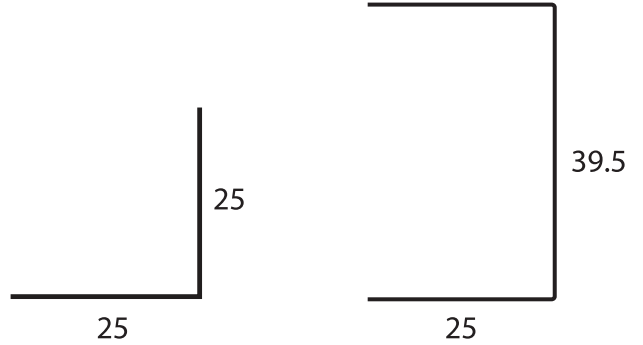


CAPCO: T38/35G CONCEALED TEE GRID CEILING SYSTEM



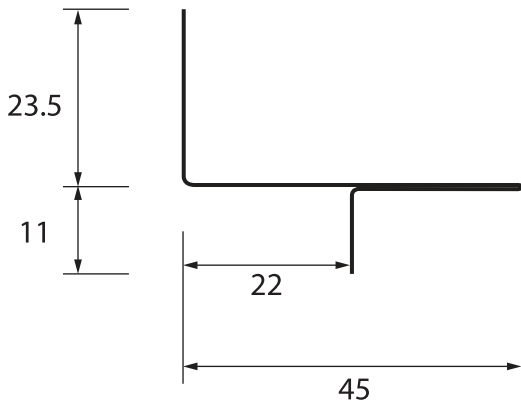
Main Tee - 3,600mm
38 x 35 x 0,35mm

Cross Tee - 1,200mm
38 x 35 x 0,35mm

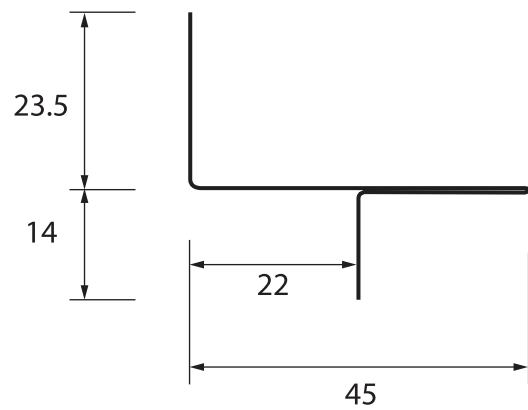


Wall Angle - 3,600mm
25x25x0.6mm

38mm Channel
Length - 3,600mm



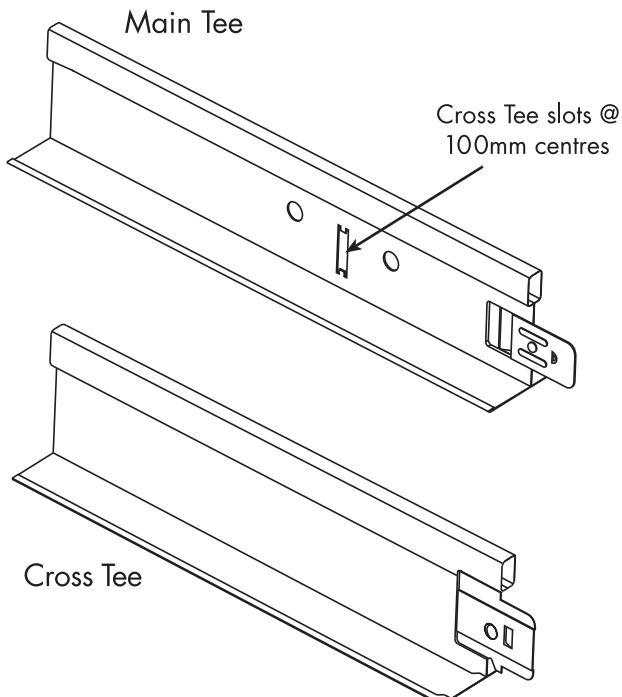
Pre-Painted White Steel Plastertrim
For 6.4 & 7.0mm Board
Length - 3,600m



Pre-Painted White Steel Plastertrim
For 9.0 & 9.5mm Board
Length - 3,600m

Features and Specifications

Main Tees are punched at 100mm centres for Cross Tees.



Fire rated

